

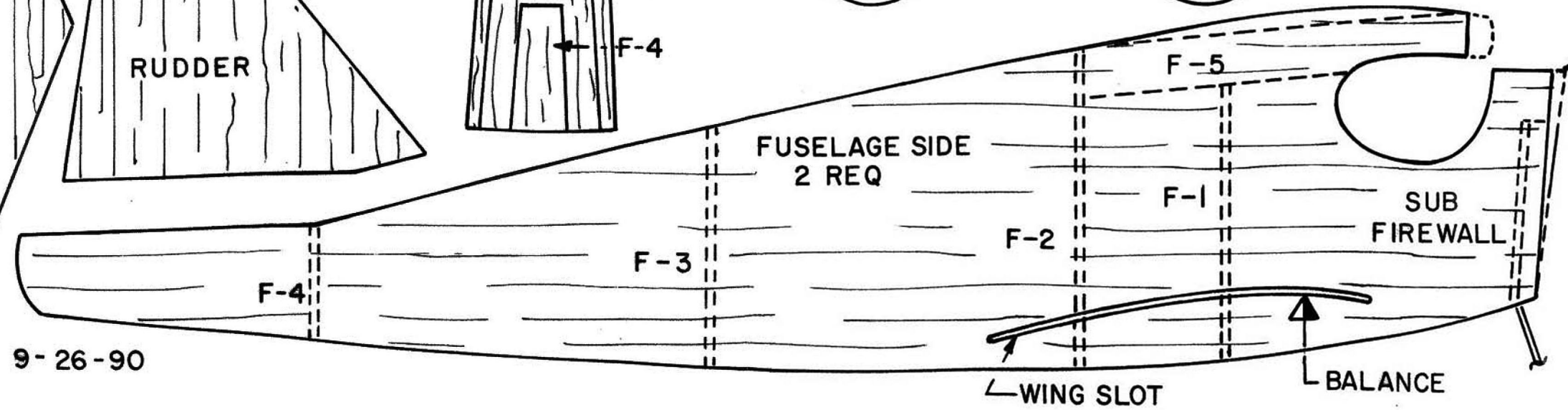
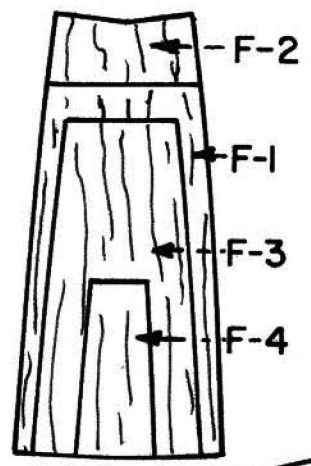
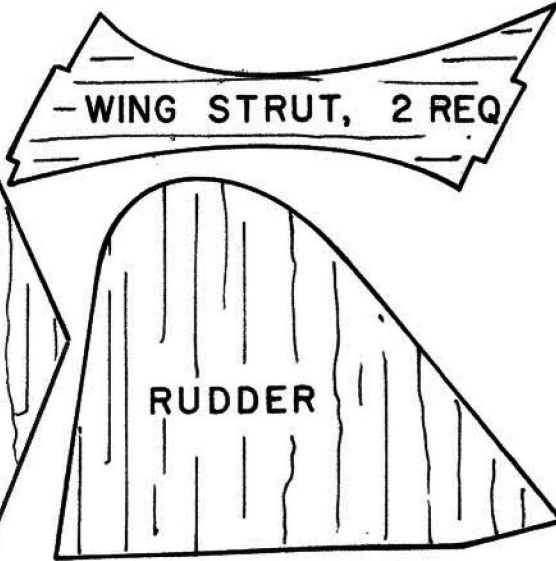
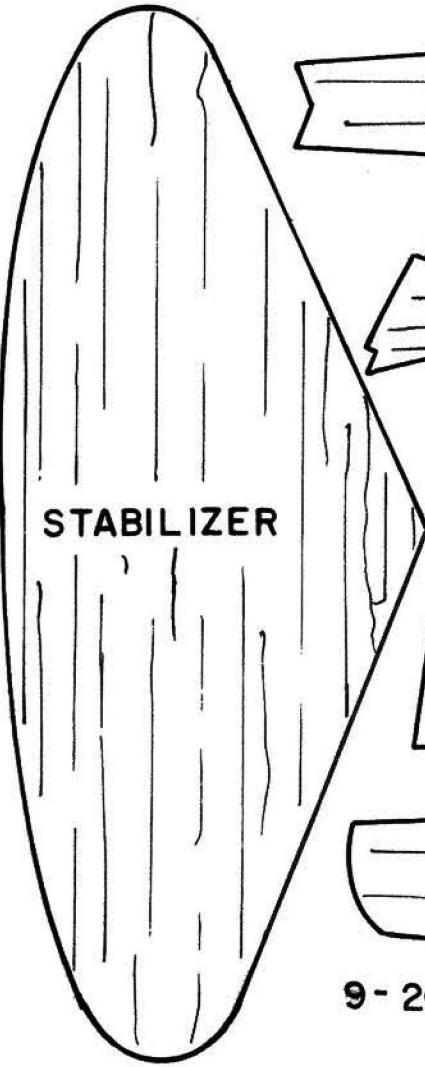
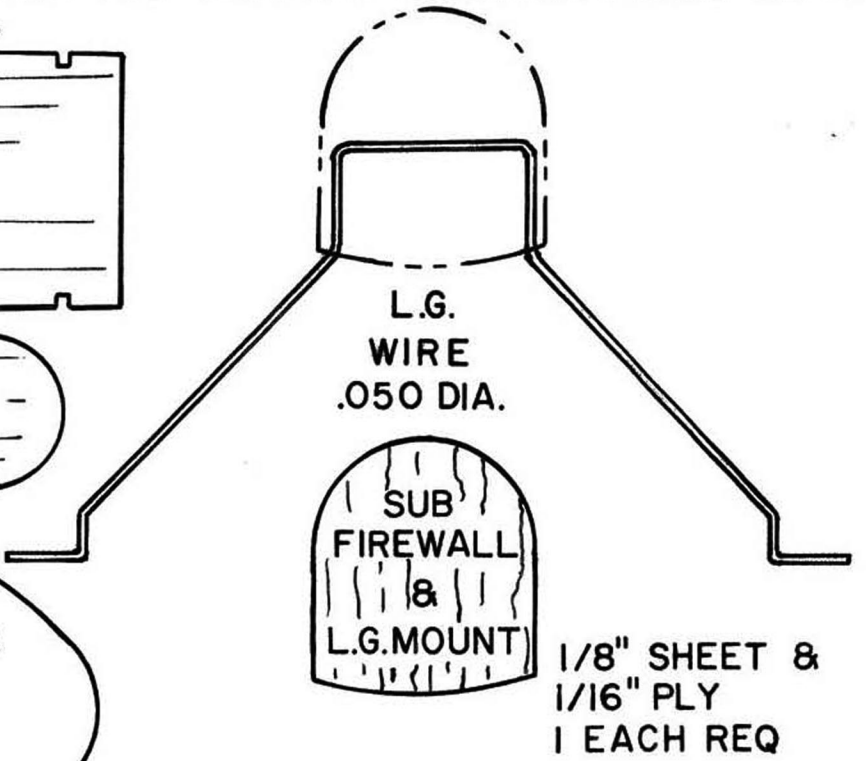
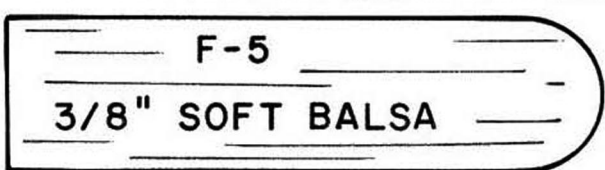
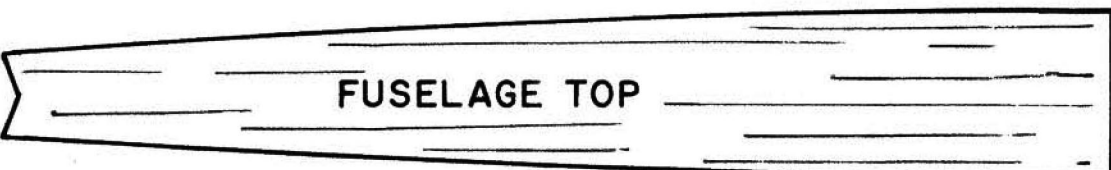
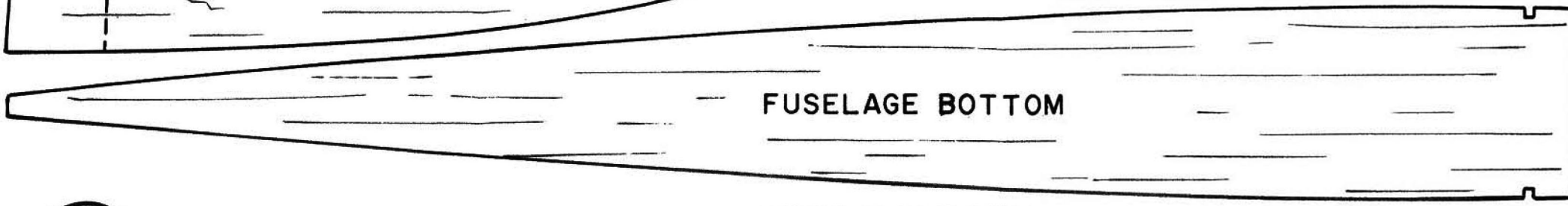
BABY BIWINGER

A DESIGN BY LUD KADING
FROM APRIL 1952 "AIRTRAILS"
SPAN: 13" LENGTH: 11 3/8"
INK TRACING BY DANIEL WALTON
(WITH MODS FOR COX TEE DEE .010)

ORIGINALLY
FOR THE
K&B INFANT



- DIHEDRAL AT TOP WING IS 1/8" EACH TIP.
- ALL MATERIAL IS 1/16" BALSA SHEET UNLESS OTHERWISE NOTED.
- 3/4" DIA. WHEELS REQ.
- AEROFOIL OBTAINED BY WETTING TOP SURFACE OF SHEET BALSA WINGS.
- LEFT CLIMB & LEFT GLIDE.



ADDITIONAL
DOWNTHRUST IS
RECOMMENDED
FOR THE COX
TEE DEE .010



9-26-90